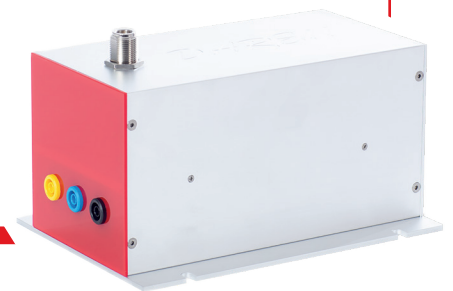


Full range of Coupling / Decoupling Networks (CDN's)

The international basic standard for conducted immunity testing (IEC 61000-4-6) specifies the design and characteristics of a range of coupling / decoupling networks (CDN's). To be able to perform conducted immunity testing on an EUT (Equipment Under Test) with several types of connecting cables, different CDN's are needed.

DARE!! Instruments introduces a complete range of high quality, full compliant and easy-to-use CDN's that enables customers to perform full compliant, simple and reliable conducted immunity testing on any kind of EUT cable.

- Full compliant to CISPR16, IEC61000-4-6, EN55015 and EN55035 standards
- Complete range for different EUT cables (AF, M, S and T)
- Each model covering frequency range 100 kHz up to 300 MHz
- Standard robust N-type RF input connection
- Easy Magnetic-Grounding connection (patent pending)
- Delivered including calibration certificate*
- Shorting- and calibration adapters available



*Accredited calibration optional

SELECTION OF PRODUCT RANGE*

Type Cable	Product name*	Application	Connector EUT port	Connector AE port
Mains	CPL M1 16A	1 line, 16 A	4 mm safety banana	4 mm safety banana
Mains	CPL M2 16A	2 line, 16 A	4 mm safety banana	4 mm safety banana
Mains	CPL M3 16A	3 line, 16 A	4 mm safety banana	4 mm safety banana
Mains	CPL M3 32A	3 line, 32 A	4 mm safety banana	4 mm safety banana
Mains	CPL M5 32A	5 line, 32 A	4 mm safety banana	4 mm safety banana
Unscreened	CPL T2	2 line, balanced	4 mm safety banana	4 mm safety banana
Unscreened	CPL T4 RJ11	4 line, balanced	RJ11	RJ11
Unscreened	CPL T8 RJ45	8 line, RJ45	RJ45	RJ45
Screened	CPL S8 RJ45	8 line, RJ45	RJ45	RJ45
Screened	CPL USB-C	USB	USB-B	USB-A
Screened	CPL USB-P	USB	USB-A	USB-B
Screened	CPL USB 3.0-C	USB	USB 3.0-B	USB 3.0-A
Screened	CPL USB 3.0-P	USB	USB 3.0-A	USB 3.0-B
Screened	CPL HDMI	HDMI	HDMI	HDMI
Unbalanced	CPL AF2	2 line, unbalanced	4 mm safety banana	4 mm safety banana
Unbalanced	CPL AF3	3 line, unbalanced	4 mm safety banana	4 mm safety banana
Unbalanced	CPL AF4	4 line, unbalanced	4 mm safety banana	4 mm safety banana

*For non-listed CDN's requests please contact DARE!! Products B.V.



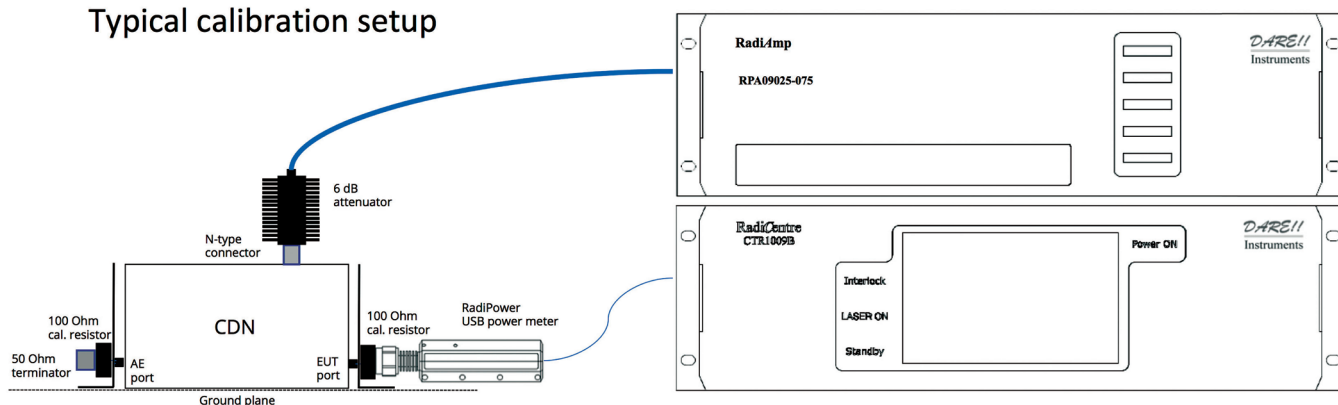
Standard	Value	Frequency	RadiCoupler®
CISPR 16-1-2			
Impedance (magnitude)	150 ± 20 Ω	0,15 - 30 MHz	✓
Impedance (phase)	± 20 °	0,15 - 30 MHz	✓
Response	-9,6 to -12,6 dB	0,15 - 150 MHz	✓
Isolation	> -40 dB	0,15 - 108 MHz	✓
IEC 61000-4-6			
Impedance (magnitude)	150 ± 20 Ω	0,15 - 24 MHz	✓
	150 + 60 Ω / -45 Ω	24 - 80 MHz	✓
	150 ± 60 Ω	80 - 230 MHz	✓
EN 55015			
Impedance (magnitude)	150 ± 20 Ω	0,15 - 26 MHz	✓
	150 + 0 Ω / -45 Ω	26 - 80 MHz	✓
	150 ± 60 Ω	80 - 300 MHz	✓
EN 55020			
Impedance (magnitude)	150 ± 20 Ω	0,15 - 30 MHz	✓
Impedance (phase)	± 20 °	0,15 - 30 MHz	✓
EN 55035			
Response	± 30 dB	0,15 - 30 MHz	✓
All standards combined			
Impedance (magnitude)	150 ± 20 Ω	0,15 - 30 MHz	✓
Impedance (phase)	± 20 °	0,15 - 30 MHz	✓
Response	-9,6 to -12,6 dB	0,15 - 150 MHz	✓
Isolation	> -40 dB	0,15 - 108 MHz	✓

✓ Meets requirements

Mechanical specification

Dimensions CDN housing (W x H x D)	100 mm x 100 mm x 200 mm
Dimensions CDN outline (W x H x D)	140 mm x 120 mm x 206 mm
Weight	± 1.2 kg

Typical calibration setup



For more information contact DARE!! Instruments at:

T: +31 348 416 592 M: instruments@dare.eu W: www.dare.eu/instruments

